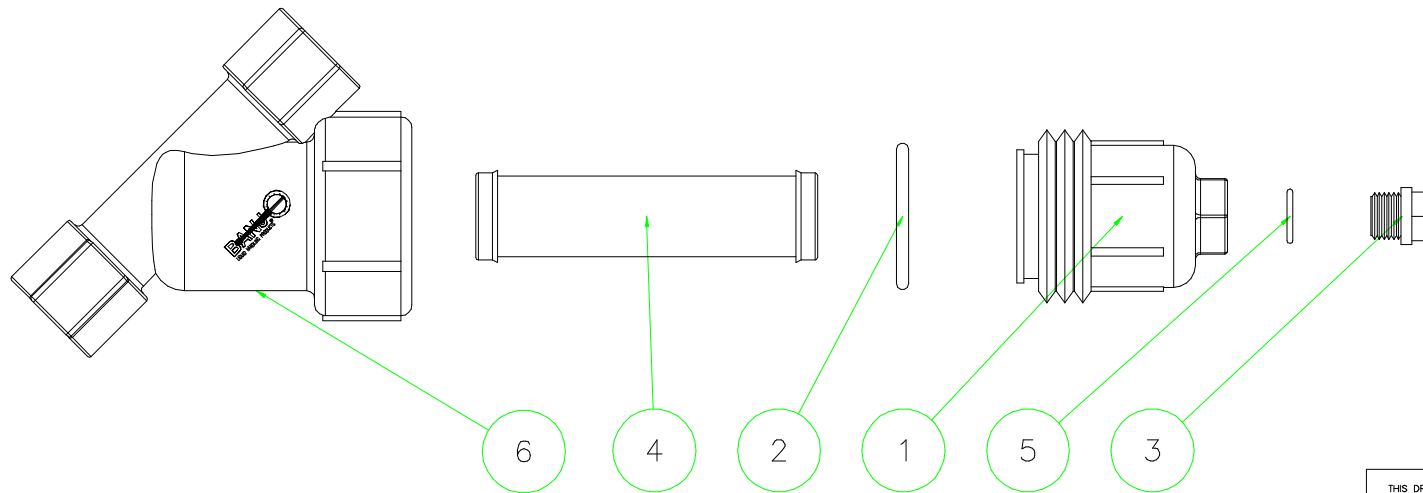
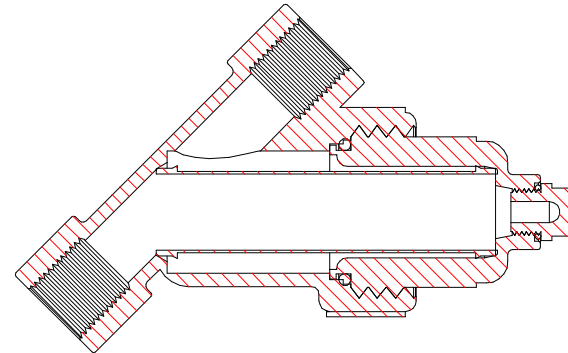
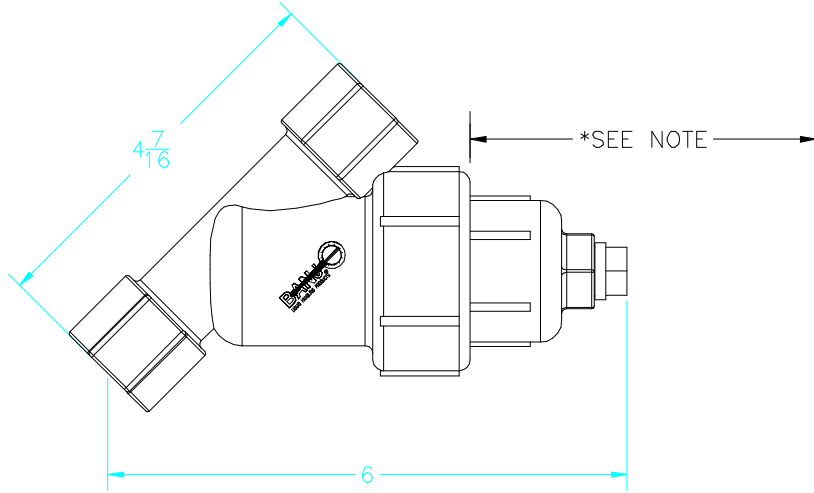
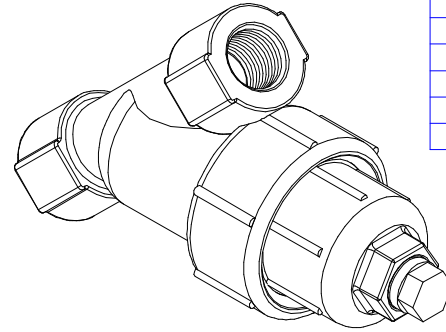



*NOTE:
 ADDITIONAL CLEARANCE REQ'D
 FOR SCREEN REMOVAL: 4"

Parts List			
Item	Qty	PART NO.	DESCRIPTION
1	1	LS075XC1	LINE STRAINER CAP
2	1	LS075G	LINE STRAINER GASKET
3	1	12723	DRAIN PLUG
4	1	LS720	LINE STRAINER SCREEN
5	1	12724	DRAIN PLUG GASKET
6	1	LS050B	LINE STRAINER BODY





BANJO
 LIQUID HANDLING PRODUCTS

BANJO CORPORATION
 150 BANJO DR. * CRAWFORDSVILLE, IN 47933

PART NO.	LS050-20
TITLE	1/2" LINE STRAINER W/ #20 MESH SCREEN

THIS DRAWING AND ALL INFORMATION CONTAINED THEREON ARE THE EXCLUSIVE PROPERTY OF BANJO CORPORATION. UNLESS SPECIFICALLY NOTED, THIS DRAWING AND ITEMS SHOWN ON THIS DRAWING ARE SUBJECT TO CHANGE AT ANY TIME.